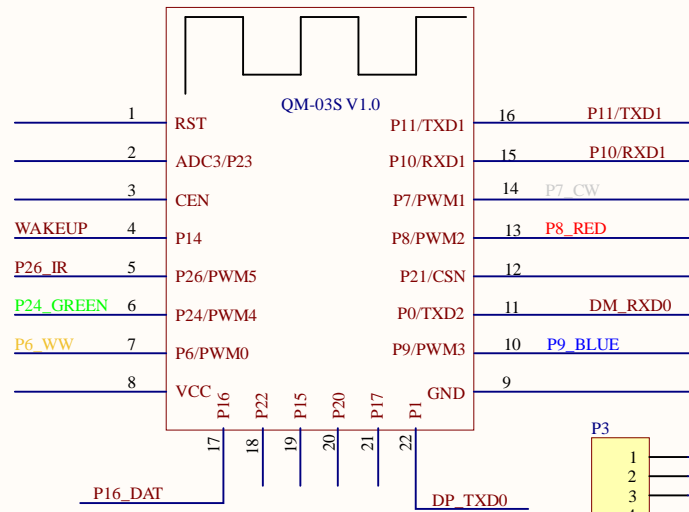
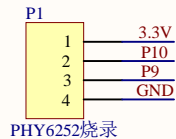
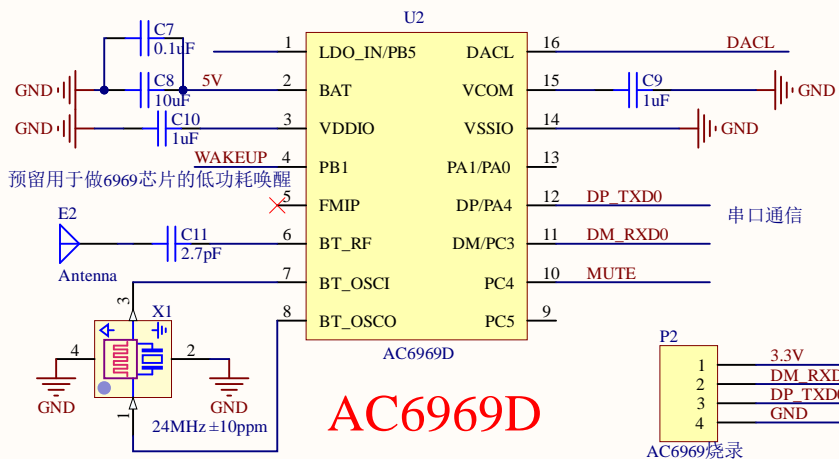
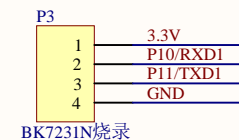


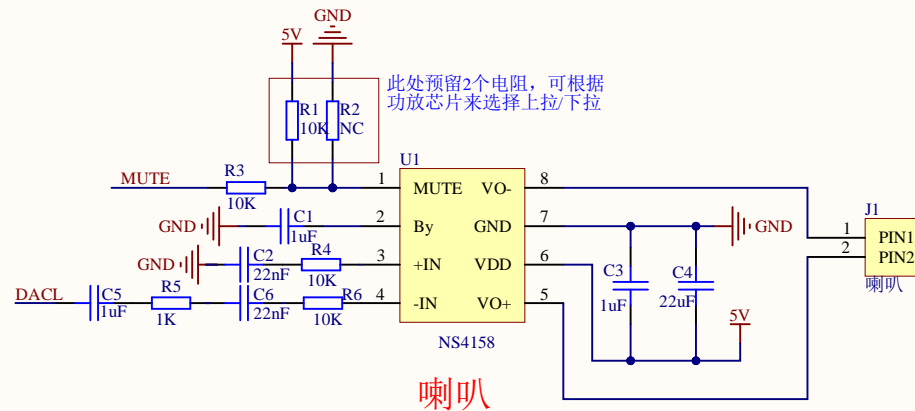
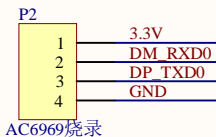
CHG-M3



QM-03S



AC6969D



喇叭

Title		
Size	Number	Revision
A4		
Date:	4/29/2023	Sheet of
File:	D:\Project\...\phy6252&ac6969d_light.Sch	Down By: